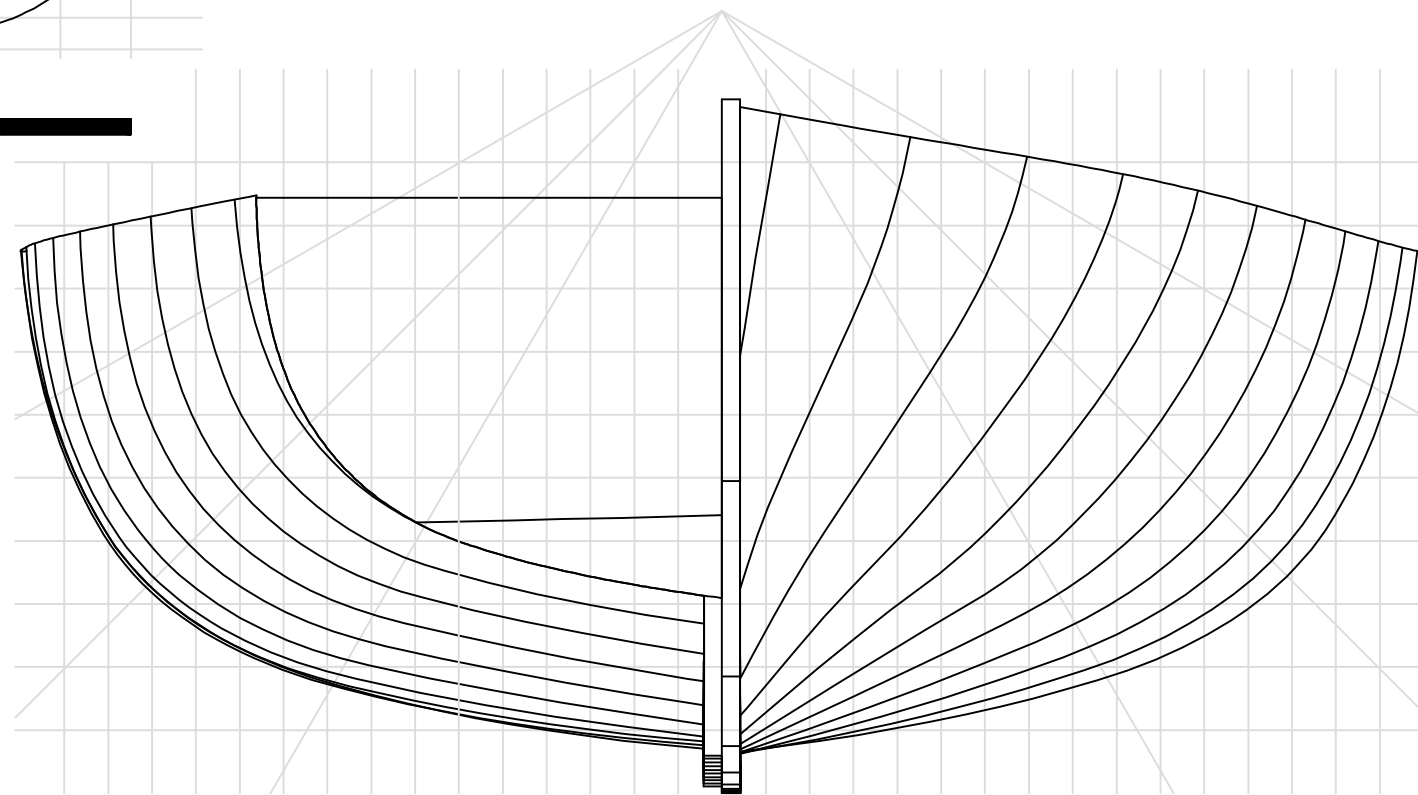
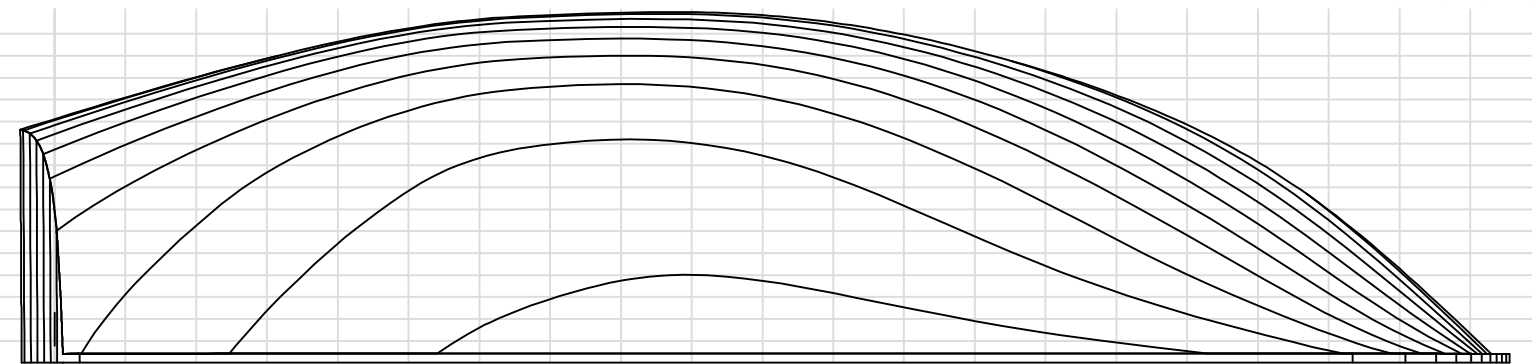


0.0m                      1.0m                      2.0m



Note: body plan scale x2



<b>Lovett</b>	
<b>Drawn:</b> Doug Harris	<b>Date:</b> 18/02/2011
<b>For:</b> Tasmanian Maritime Museum	<b>Project:</b> Historical Hull Digital Database
<b>Scale:</b> 1:12.5	<b>Note:</b> All lines drawn to outside of hull.